

FAQS & KEY NOTES

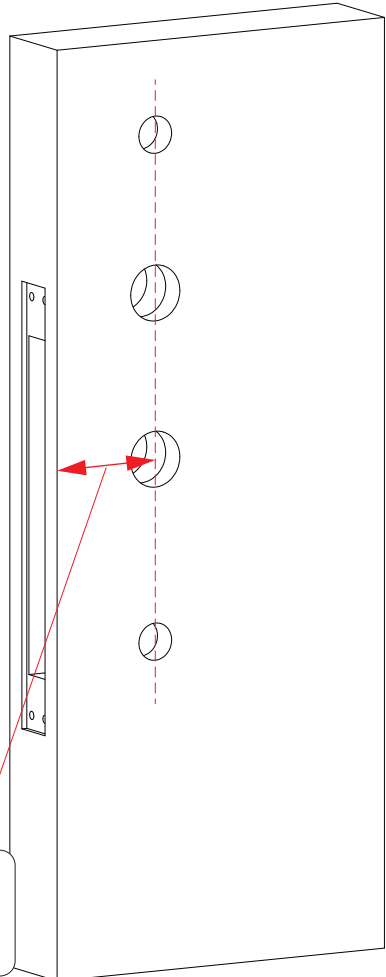
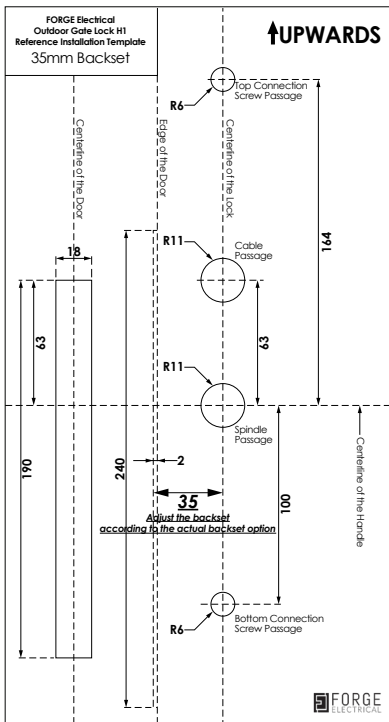
Semi-Automatic Digital Lock Installation



This is not a full installation guide. For full instructions, please refer to the user manual.

**Q: My mortice backset is 25mm.
Why is the installation template for a 35mm backset?**

A: The installation template is universal.
When it comes to the actual installation, there are many adjustments to the backset (e.g., surface/flush mount of the mortice faceplate, offsets, raises, etc) where the backset needs to be adjusted accordingly.

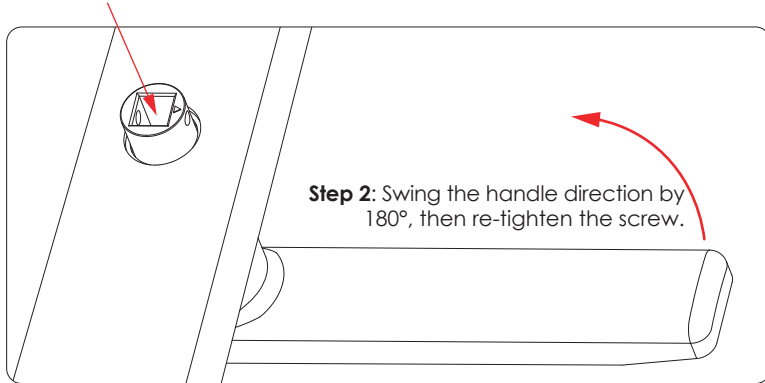


The template is for reference only.
For any adjustments such as **offsets** or **customised mortice backsets**,
always **adjust the backset accordingly**.

Q. How do I change the handle direction?

A: The handle direction can be changed to suit all door opening directions. Please pay attention to the instructions below.

Step 1: Use the supplied Allen key to undo the screw at the bottom of the handle rotor

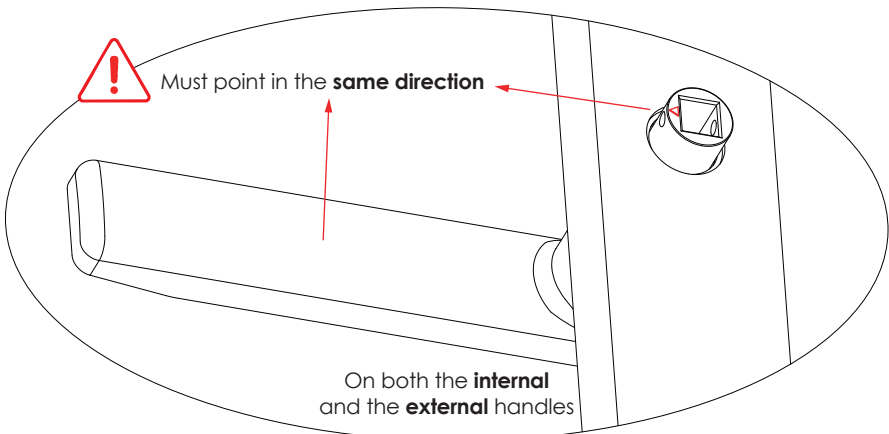


Step 3: IMPORTANT

Once the handle direction is set, adjust the direction of the arrow mark on the rotor to point in the same direction as the handle.

This has to be done on both the external and the internal handle.

If the rotor direction is wrong, it will prevent the lock from being locked properly!



Q: How do I change the mortice latch direction?

A: The facing direction of the latch can be easily adjusted to suit all door opening directions. Please follow the instructions below.



Orientation of the mortice:

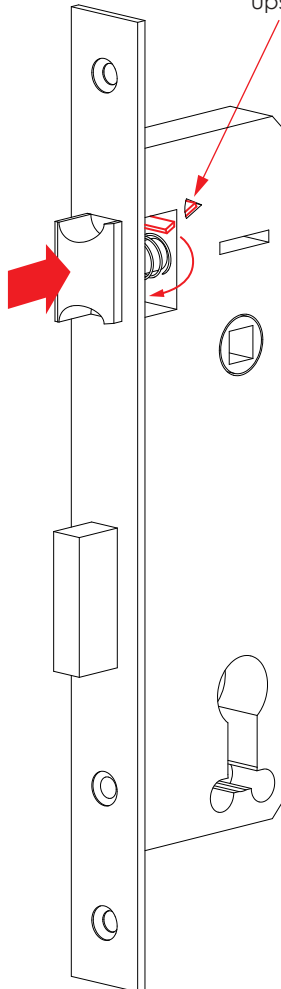
The latch should always remain on top, and the deadbolt is on the bottom.

Step 1:

Lift up this flap by flipping the mortice upside down, or push it up using a pin.

Step 2:

Push the latch to sink below the mortice faceplate surface, then turn the latch by 180°.

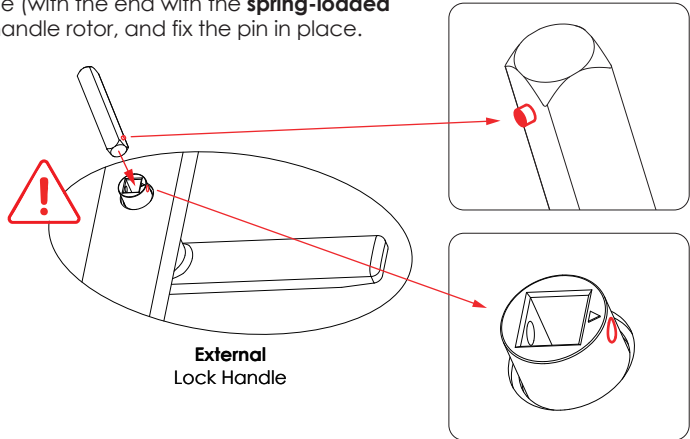


**Q: Why is my lock not locking after installation?
How much should I cut for the spindle?**

A: There are two common installation issues that can prevent the lock from locking:

- 1. The arrow mark on the handle rotor is pointing to the wrong direction.**
Please refer to page 2 of this document.
- 2. The spindle is too long,** causing friction to the handle rotor/clutch.
Please pay attention to the below spindle adjustment instructions.

Step 1: Insert the spindle (with the end with the **spring-loaded pin**) into the **external** handle rotor, and fix the pin in place.



Step 2: Insert the external handle through the cutout on the door.

IMPORTANT: Cut the spindle so it only protrudes above the door surface on the inside of the door by 5mm.

